



## DETAILS



Microwave sensor

## KEY FEATURES

- Dust-free accumulation design with better heat dissipation
- Luminaires are suitable for 3 to 14 meters high
- Integrated LED with a long lifespan of L80B10 76,000 hours / L90B50 50,000 hours
- Plug & Play installation 3-pole IP68 screwless connector
- Up to 180 lumens per watt
- Standard 1-10V Dimmable
- Excellent luminaire for heavy dust area
- 5 years Pragmalux warranty



## OPTIONS



## ACCESSORIES



## SPECIFICATIONS (ACCORDING TO EN IEC 62722-2-1)

ITEM CODE	DESCRIPTION	W	LM	LM/W	KELVIN	CRI	INPUT CURRENT	LIFETIME L80	EQUIVALENT	BEAM ANGLE
4605197	LED Highbay Ultra 100W 4000K 90° 1-10V Dim Black	100	18000	180	4000	≥80	0.46	76000	200W	90°
4605203	LED Highbay Ultra 120W 4000K 90° 1-10V Dim Black	120	21600	180	4000	≥80	0.55	76000	250W	90°
4605210	LED Highbay Ultra 150W 4000K 90° 1-10V Dim Black	150	27000	180	4000	≥80	0.69	76000	250W	90°
4605227	LED Highbay Ultra 200W 4000K 90° 1-10V Dim Black	200	36000	180	4000	≥80	0.91	76000	400W	90°

## TECHNICAL DATA

ELECTRICAL DATA	
Voltage (V)	220-240
Frequency (Hz)	50/60
Power factor (λ)	≥0.9
Operating mode	Integrated LED Driver
Electrical connection	Max 3x1,5 mm <sup>2</sup> wire
Total harmonic distortion	≤ 15 %

## TEMPERATURES & OPERATING CONDITIONS

Ambient temperature	25°C
Operating temperature	-40 ~ +50°C
Storage temperature	-40 ~ +85°C

## COLORS & MATERIALS

Color ( Housing)	Black RAL9017
Material ( Housing)	Aluminum
Material ( Reflector)	PC

ITEM CODE	DESCRIPTION	DRIVER FAILURE RATE AT 5,000H	INRUSH CURRENT IPEAK (A)	INRUSH CURRENT TWIDTH (μs)	MAX. NO. OF DRIVERS ON MCB TYPE B 10A	MAX. NO. OF DRIVERS ON MCB TYPE B 16A	MAX. NO. OF DRIVERS ON MCB TYPE C 10A	MAX. NO. OF DRIVERS ON MCB TYPE C 16A
4605197	LED Highbay Ultra 100W 4000K 90° 1-10V Dim Black	≤1%	57	760	3	4	5	8
4605203	LED Highbay Ultra 120W 4000K 90° 1-10V Dim Black	≤1%	49	652	3	4	5	8
4605210	LED Highbay Ultra 150W 4000K 90° 1-10V Dim Black	≤1%	80	912	2	4	4	7
4605227	LED Highbay Ultra 200W 4000K 90° 1-10V Dim Black	≤1%	79.5	904	1	2	2	3

## PRAGMALUX

All rights reserved. Pragmalux - PDL Lighting Group B.V. retains the right to modify product specifications without any prior notice or obligation and does not assume any liability for any consequences of using this document. Subject to errors and printing errors. Luminous flux tolerance: +/- 10%. Power consumption tolerance: +/- 10%.

Version: February 2021

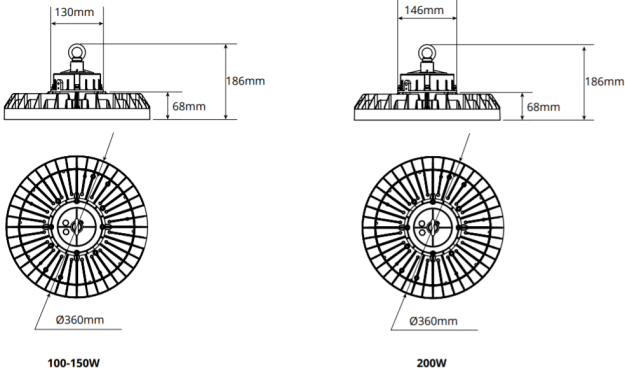
## CERTIFICATES & STANDARDS

Driver certificates	CE
Fixture certificates	CE
Ingress protection	IP65
Protection class	I
Protection class IK	10
Glow Wire Test ( IEC 695-2-1)	650°C
Photobiological safety group EN62778	RG1
IEC	EN IEC 62722-2-1
LM80 (TM21 /) L90B50 (hours)	>50,000

## CAPABILITIES

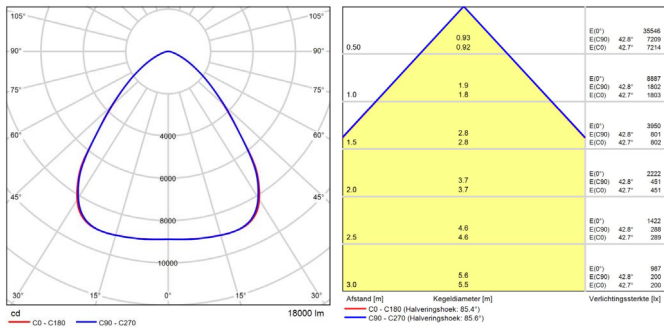
UGR	≤25-30
Dimmable	1-10V
Type of connection	Push Terminal, 3-pole
LED Module replacable	No
Installation	Hook

## DIMENSIONS

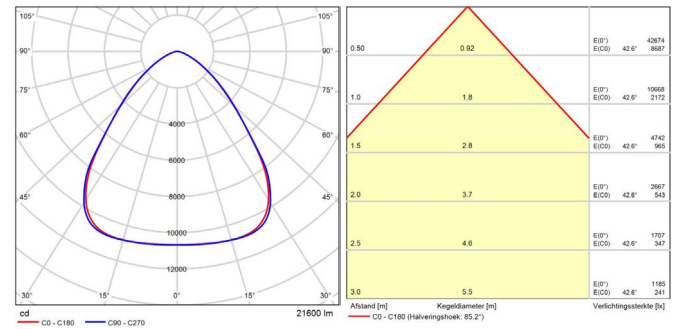


## PHOTOMETRIC SPECIFICATIONS

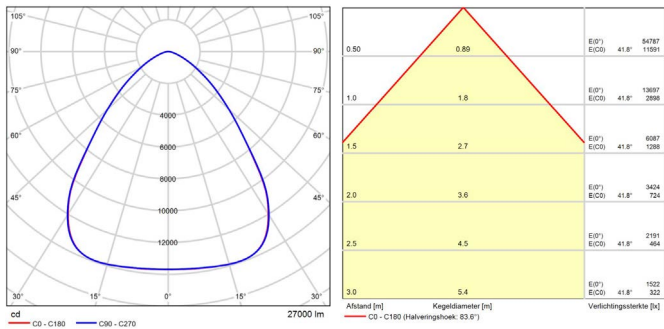
### LED HIGHBAY ULTRA 100W 4000K 90° 1-10V DIM BLACK



### LED HIGHBAY ULTRA 120W 4000K 90° 1-10V DIM BLACK



### LED HIGHBAY ULTRA 150W 4000K 90° 1-10V DIM BLACK



### LED HIGHBAY ULTRA 200W 4000K 90° 1-10V DIM BLACK

